

Wireless Pump Relay Controllers

AKL01PRF / AKL04PRF / AKL06PRF



Pump relay control is now wireless

- Save installation time and wiring costs
- No more running thermostat wires throughout a home
- Put thermostats where they need to go, not where the wires can go
- Wirelessly control the boiler
- Control up to 30 zones in a single boiler system
- Works with wired systems so those hard to reach / broken wire locations can be easily dealt with

SALUS NORTH AMERICA, INC.

(888) 387-2587

sales@salusinc.com

www.salusinc.com

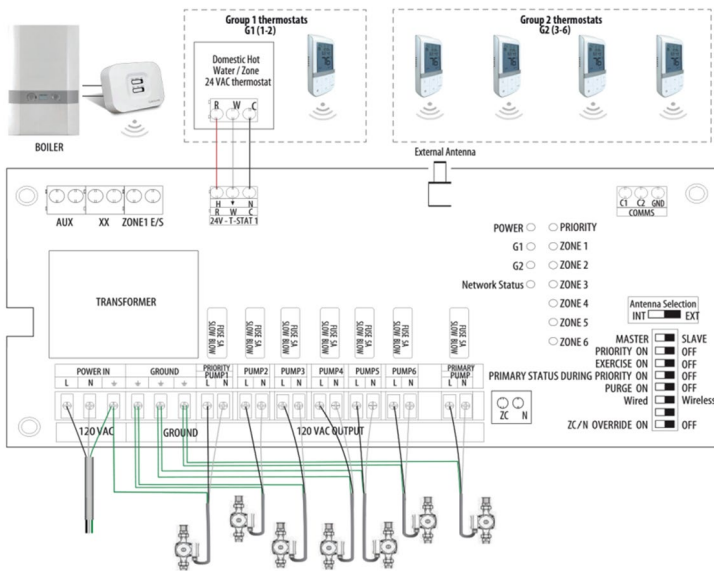
The Salus logo consists of a stylized blue 'S' symbol followed by the word 'SALUS' in a bold, blue, sans-serif font. A registered trademark symbol (®) is located at the end of the word.

Description and Features

The SALUS Wireless Pump Relay Controllers are devices that communicate with wireless thermostats and receivers to control traditional heating pumps and boilers, and provide the following functions and features:

- Primary pump control
- Priority zone support (domestic hot water)
- Purge – Priority pump continues to run for 2 minutes after end of priority call
- Exercise – pumps turn ON for 30 sec. after 72 hours of inactivity
- Thermostat grouping
- ZC/ZR boiler enable support
- Wireless boiler XX support with a Zigbee Receiver (AX10RF)
- XX and AUX normally open contacts support
- Master / Slave function for up to 5 units (1 master / 4 slaves)
- External Antenna for sheltered locations
- LED indicators for zones and Priority status
- 3 models: AKL01PRF – single zone
AKL04PRF – 4 zone
AKL06PRF – 6 zone

Example Wiring Diagram (AKL06PRF)



Order Details

| Wired Pump Relay Controller | | |
|-----------------------------|-----------------|-------------------------|
| Model | Single Unit UPC | Carton GTIN |
| AKL01PRF | 817989023063 | 10817989023060 (10 pcs) |
| AKL04PRF | 817989023025 | 10817989023022 (4 pcs) |
| AKL06PRF | 817989023049 | 10817989023046 (4 pcs) |

| Specifications | AKL01PRF | AKL04PRF | AKL06PRF |
|--|-------------------|---------------------|----------|
| Controls | | | |
| Pair Button | ✓ | ✓ | ✓ |
| Indicators | | | |
| Power LED | ✓ | ✓ | ✓ |
| Network Status LED | ✓ | ✓ | ✓ |
| Priority LED | | ✓ | ✓ |
| Group 1 LED | | ✓ | ✓ |
| Group 2 LED | | ✓ | ✓ |
| Zone LEDs (1 per zone) | 1x | 4x | 6x |
| Terminals | | | |
| Power In (L, N) | ✓ | ✓ | ✓ |
| 120 VAC 50/60 Hz, max. 20 A. | | | |
| GND | 1x | 4x | 6x |
| Primary Pump (L, N) max. 1/6 hp | | ✓ | ✓ |
| Pumps (L, N) max. 1/6 hp | 1x | 4x | 6x |
| Priority on Pump 1 | | ✓ | ✓ |
| AUX contacts, 2A max. | | ✓ | ✓ |
| XX contacts, 120 VAC, 2A max. | ✓ | ✓ | ✓ |
| ZONE1 E/S contacts, 2A max. | | ✓ | ✓ |
| Wired Thermostat (R, W, C) 24 VAC, 0.8A max. | | ✓ | ✓ |
| Comm (C1, C2, gnd) | | ✓ | ✓ |
| External Antenna | ✓ | ✓ | ✓ |
| Mechanical | | | |
| Keyhole Screw Mounts | 3x | 4x | 4x |
| Weight | | Dimensions | |
| AKL01PRF | 1.23 lbs, 0.56 kg | 3.15" x 6.3" x 4.5" | |
| AKL04PRF | 3.14 lbs, 1.43 kg | 80 x 160 x 114 mm | |
| AKL06PRF | 3.38 lbs, 1.53 kg | 3.15" x 11" x 9.25" | |
| | | 80 x 280 x 235 mm | |
| Power | | | |
| Supply: 120 VAC, 60 Hz | | | |
| Pump outputs: 1/6 HP max. (5A slow blow fuse type 2AG) | | | |
| Radio | | | |
| 802.15.4 (2.54 GHz), Zigbee HA 1.2 based protocol | | | |
| Environmental | | | |
| Operating: 32° to 110°F (0° to 43°C), <90% RH non-condensing | | | |
| Storage: 32° to 122°F (0° to 50°C), <90% RH non-condensing | | | |
| Agency Compliance | | | |
| ETL certified to CSA C22-2 No. 24 and UL873 | | | |
| FCC, Industry Canada | | | |
| CE: RoHS, REACH, WEEE | | | |
| Warranty: 5 years limited warranty | | | |
| Compatible Devices | | | |
| ANT10RF Zigbee External Antenna | | | |
| AWRT10RF Wireless Radiant Thermostat | | | |
| AX10RF Zigbee Receiver | | | |
| SG888ZB Universal Gateway | | | |

Note: Specifications are subject to change without notice

